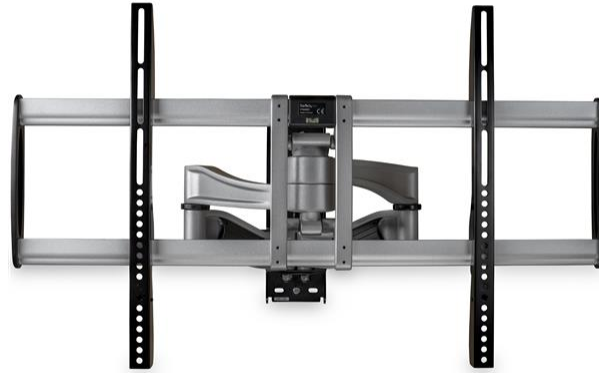


Full-Motion TV Wall Mount - Premium - Silver

Product ID: FPWARPS



Strong and sleek, this full-motion TV wall mount lets you free up space by wall-mounting your 32" to 75" TV, and adjust it to the right viewing position with ease.

Once it's installed, the flat-screen TV wall mount is simple to adjust without using tools. You can extend the arms with ease to position your TV anywhere from 4.1" to 21.6" (105 to 550 mm) away from the wall. The TV mount swivels +/-60 degrees and tilts +/-15 degrees for optimum viewing.

This premium television wall mount beautifully combines form and function. Designed to provide an impressive appearance in every position, the premium black and silver design makes it ideal in a company lobby or hallway, information kiosk, or living space. With the arms extended, the protective covers provide a tidy, professional look. The cable-management channel inside the arms keeps cables neatly tucked away.

Engineered with steel and aluminum, the robust TV mount securely supports a TV with a maximum weight capacity of 165 lb. (75 kg).

FPWARPS is backed by a StarTech.com 5-year warranty and free lifetime technical support.

Certifications, Reports and Compatibility



Applications

- Wall-mount your TV in a boardroom, lobby, lecture hall, classroom or meeting space
- Keep guests informed or entertained in hotels, restaurants and other hospitality venues
- Save space by wall-mounting your TV in your home theater or living room

Features

- Save space by wall-mounting your 32" to 75" TV
- Easy adjustment with full-motion articulating arms
- Swivels +/-60 and tilts +/-15 for ideal viewing
- Arms extend from 4.1" to 21.6"(105 to 550 mm) from the wall
- Sleek and robust steel and aluminum construction (supports up to 165 lb./ 75 kg)

Hardware	Warranty	5 Years
	Wallmountable	Yes
	Cable Management	Yes
	# of Displays Supported	1
	VESA Hole Pattern(s)	200x200 mm
	VESA Hole Pattern(s)	300x300 mm
	VESA Hole Pattern(s)	400x200 mm
	VESA Hole Pattern(s)	400x400 mm
	VESA Hole Pattern(s)	600x400 mm
	VESA Hole Pattern(s)	700x400 mm
	VESA Hole Pattern(s)	800x400 mm

Performance	General Specifications	Minimum Distance to Wall: 4.13" (105 mm)
	General Specifications	Maximum Distance to Wall: 21.65" (550 mm)
	Weight Capacity (Per Display)	187.8 lb [85 kg]
	Minimum Display Size	32"
	Maximum Display Size	75"
	Fits Curved Display	Yes
	Video Wall	No
	Display Tilt	+ 15 / - 15
	Swivel / Pivot	+ 60 / - 60

Physical Characteristics	Color	Black & Silver
	Material	Steel
	Product Length	34.1 in [8.6 cm]
	Product Width	20.5 in [5.2 cm]
	Product Height	20.6 in [5.2 cm]



	Weight of Product	22.8 lb [10.3 kg]
Packaging Information	Package Length	35.8 in [9.1 cm]
	Package Width	18.1 in [4.6 cm]
	Package Height	5.5 in [1.4 cm]
	Shipping (Package) Weight	28.0 lb [12.6 kg]
What's in the Box	Included in Package	TV Wall-Mount Assembly
	Included in Package	Vertical Brackets
	Included in Package	6 mm Hex Key
	Included in Package	Vertical Bracket Screws
	Included in Package	Concrete Anchors
	Included in Package	M4 x 12 mm Screws
	Included in Package	M4 x 18 mm Screws
	Included in Package	M5 x 12 mm Screws
	Included in Package	M6 x 12 mm Screws
	Included in Package	M6 x 18 mm Screws
	Included in Package	M8 x 12 mm Screws
	Included in Package	Flat Washers
	Included in Package	M8 x 18 mm Screws
	Included in Package	User Manual
Included in Package	Wall Screws	

****Product appearance and specifications are subject to change without notice.***

